

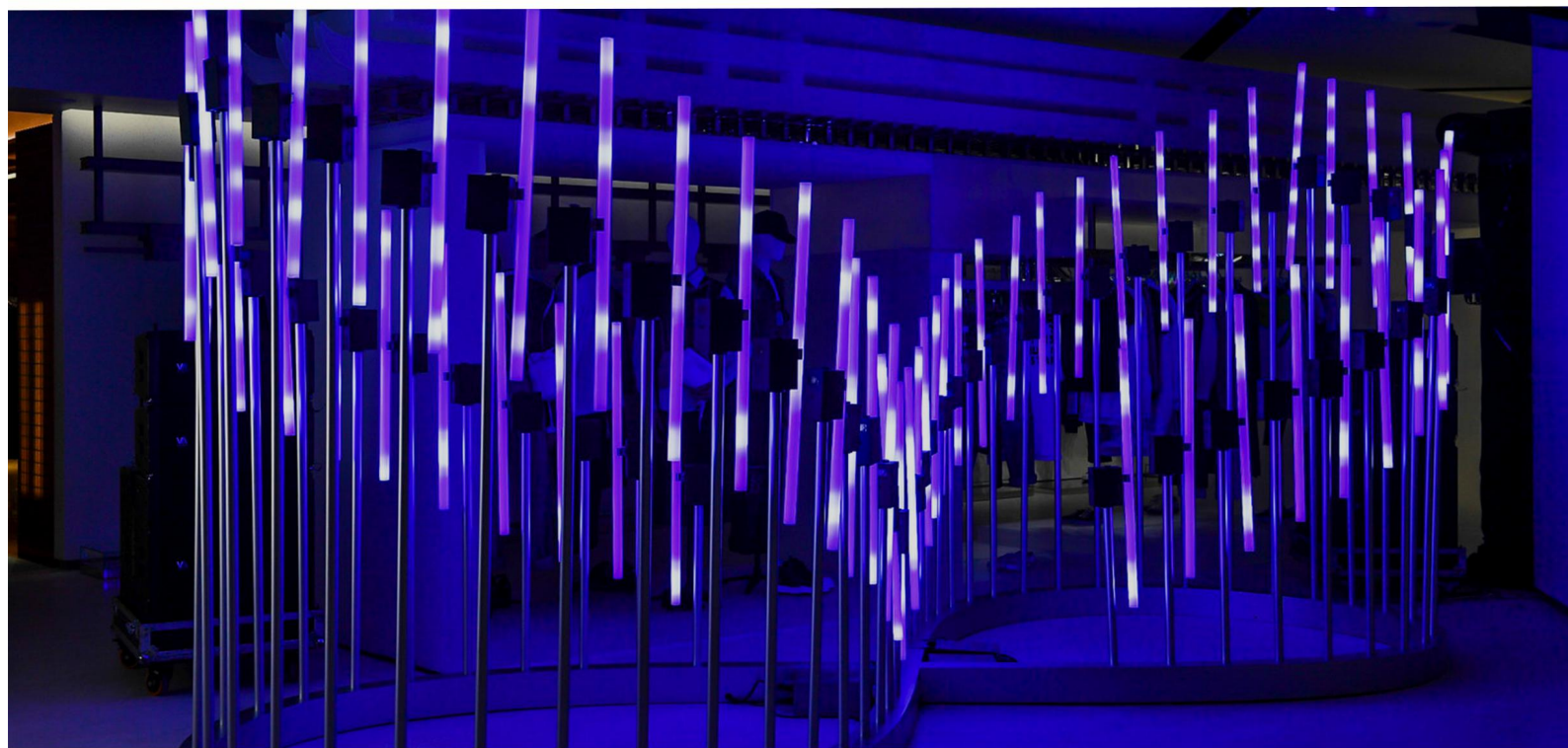
产品规格书

Product specification

LED 旋转彩云管

Rotation 360 Degree

LED Tube



晨亮光电

CLEN

LED 旋转彩云管

Rotation 360 Degree

LED Tube

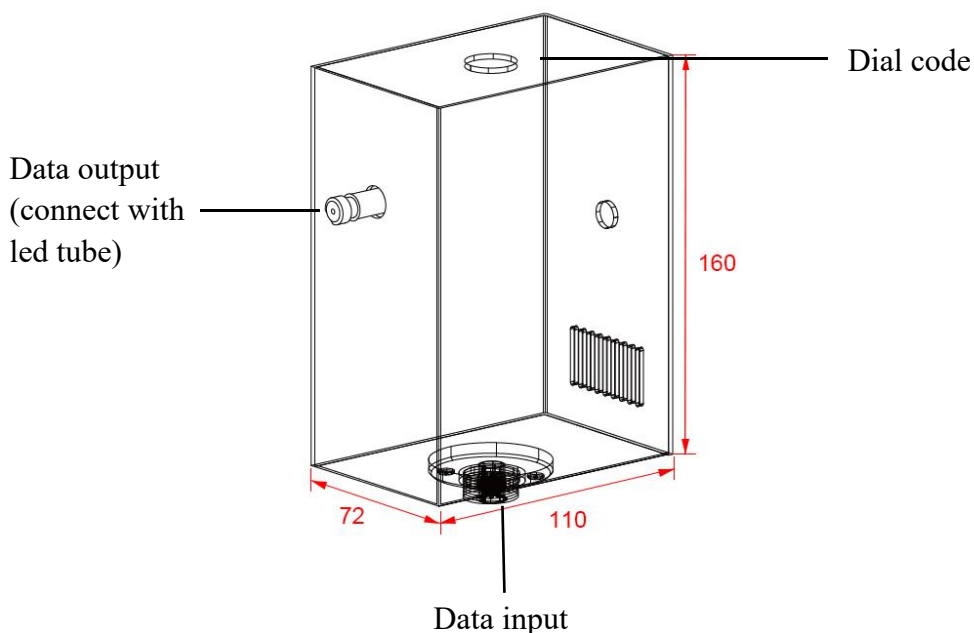


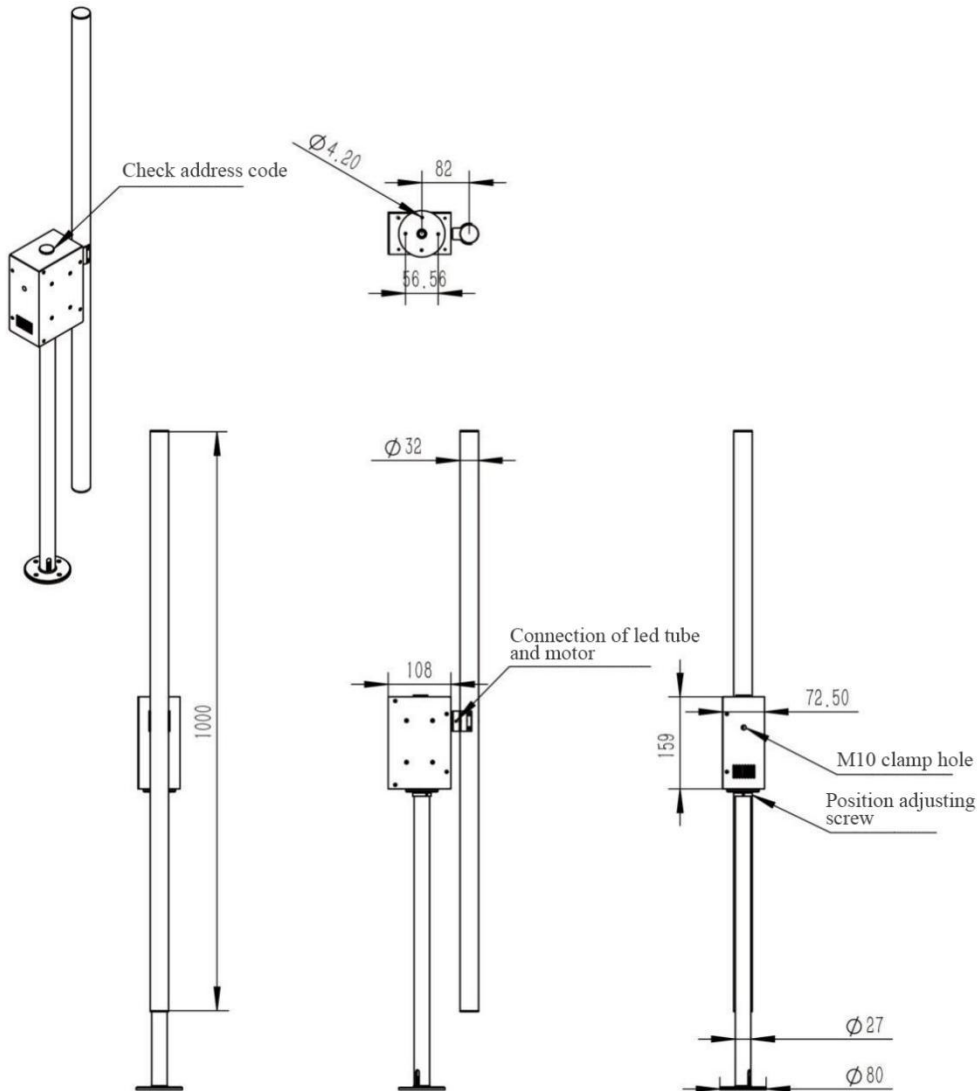
Product name: Rotating 3D LED tube

Product mode: CL-MT02

Overview: More and more equipment is used in stage lighting. The rotating 3D LED tube gradually stands out among many lighting equipment due to its 360 degree rotation and 360 degree luminescence. This product supports DMX512 signal input, SPI signal output, and the rotation angle can be adjusted, and the speed can be adjusted. Can achieve silent operation, noiseless running. Provide more options for stage lighting effects.

Product picture:





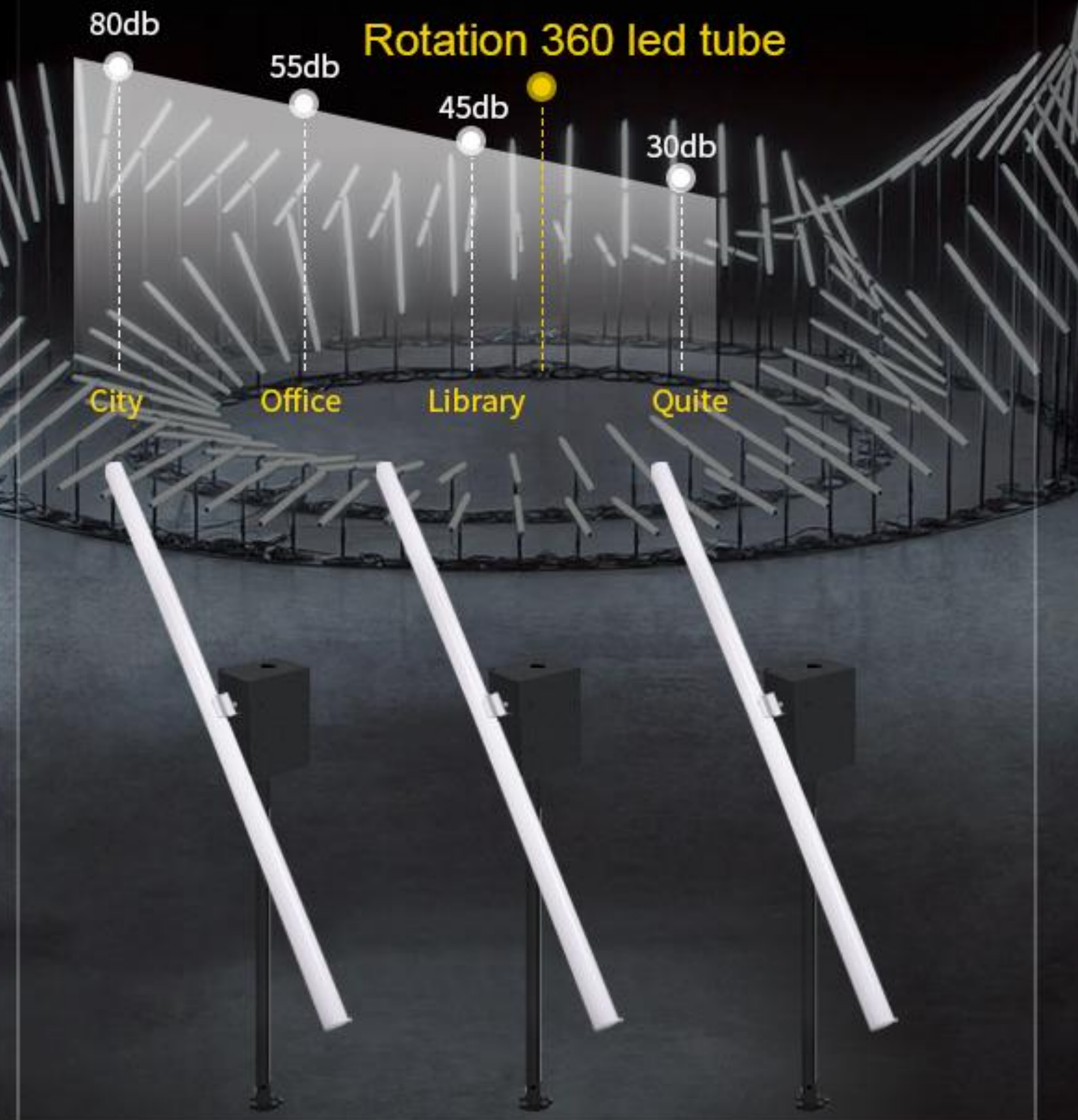
◆ Features:

- DC24V low voltage input, DMX signal input;
- Zero value detection, automatic calibration (reset) after power-on;
- 360-degree beam angle, rotating, adjustable angle, controllable speed;
- Can achieve silent operation, noiseless running;
- Small size and easy installation;
- Multiple units can be used in series;
- Can be controlled with Artnet software (MAD-SHOW, MADRIX) and DMX console.
- Support program remote upgrade;

一级静音

First level mute

低噪运行 $\leq 45\text{db}$
Low noise operation





◆ Parameter list

Parameter	Unit	Min	Typical	Max
Working voltage(DC)	V	—	24	—
LED tube size(L*W*H)	MM	—	1000/1210/1460*D32	—
Power	W	—	26/31/37	—
LED quantity	PCS	—	144/180/216	—
LED Pixel	—	—	24/30/36	—
Cascade number	PCS	—	—	6/5/4
Control mode	—	—	DMX512	—
Product weight	KG	—	2.1	—
product size(L*W*H)	MM	—	142*108*72	—
Product color	—	—	Black	—
Product material	—	—	Aluminum	—



3D LED Tube Length(MM)	1000	1210	1460
3D LED Tube Pixel Quantity (PCS)	24	28	36
Length of stand(MM) <i>*length can be customized</i>	700	800	900

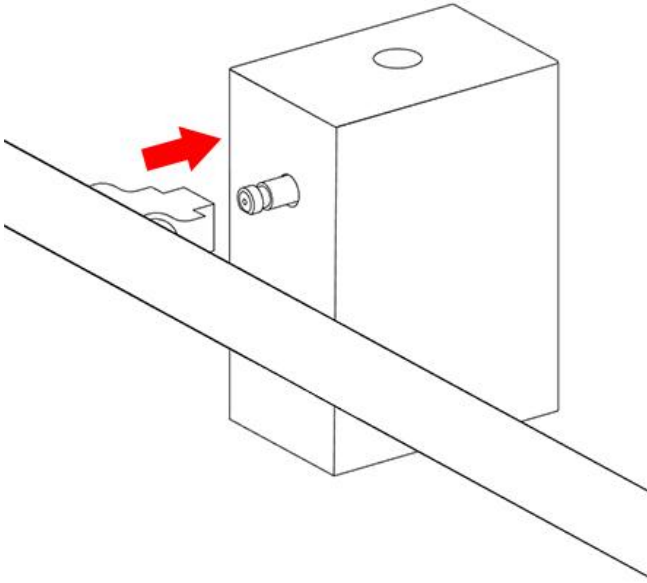


DMX code	Parameter	Action start channel	light start channel	Channel range
0	program upgrade	—	—	—
1	1.5M LED tube	1	7	1-114
2		115	121	115-228
3		229	235	229-342
4		343	349	343-456
5	1.2M LED tube	1	7	1-96
6		97	103	97-192
7		193	199	193-288
8		289	295	289-384
9		385	391	385-480
A	1M LED tube	1	7	1-78
B		79	85	79-156
C		157	163	157-234
D		235	241	235-312
E		313	319	313-390
F		391	397	391-468
Channel	Function	Function description		
Channel 1	Control angle	Control the angle of rotation: the value 0-255 corresponds to 0-360°		
Channel 2	Speed	Adjust the speed of the angle change		
Channel 3	Built-in mode selection	Value 0-15 is invalid, value 16-255, built-in action mode, one mode per 16 values, priority is higher than channel 1		
Channel 4	Forward and reverse + speed	It is available when channel 3 is valid, the value 0-126 rotates counterclockwise, the value 127-128 maintains the current angle, and the value 129-255 rotates clockwise		
Channel 5	Stroboscopic lighting	The value 0-15 is invalid; Value 16-31 all white; The value 32-255 is Stroboscopic. The higher the value, the faster the strobe speed. The priority is higher than the light data		
Channel 6	Restoration	The value 0-254 is invalid, the value 255 is reset once, waiting for the channel to be released, the highest priority		

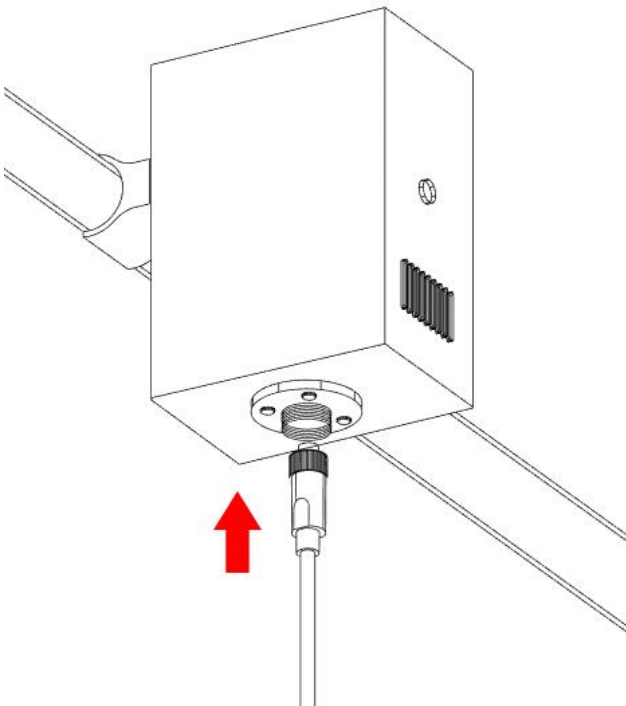


Rotating 3D LED tube installation:

- ① Fix the led tube with motor with screws;

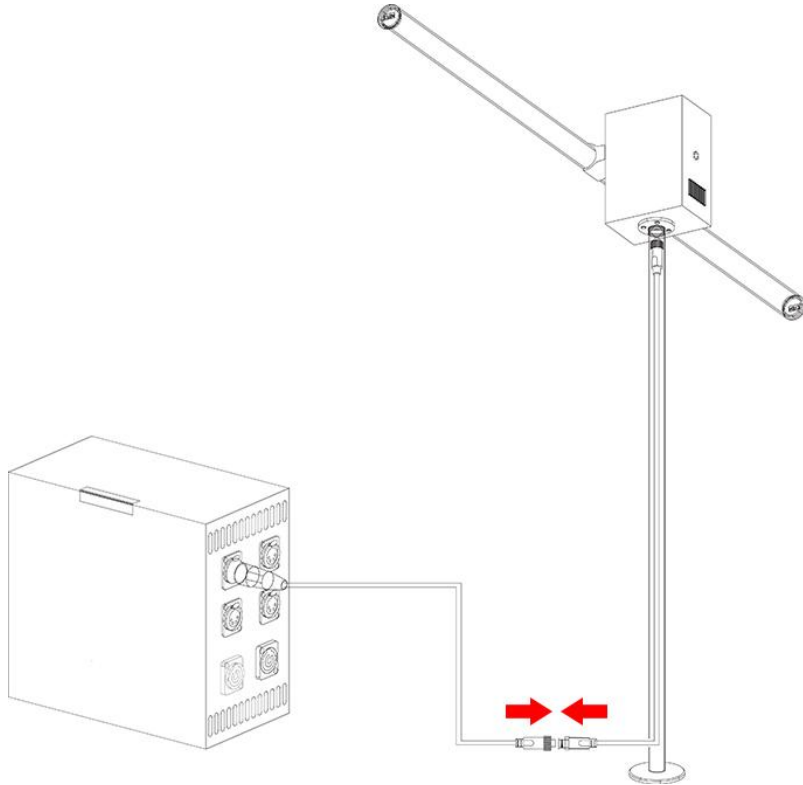


- ② The input is connected to extension cable;

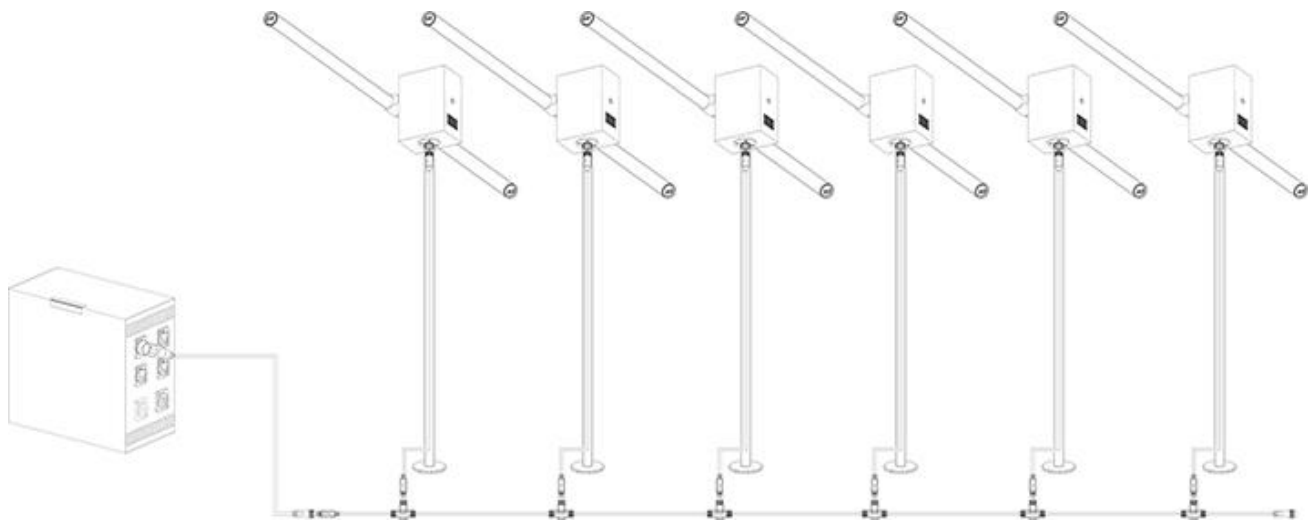




③ Connect the input of rotating led tube with controller's XLR cable

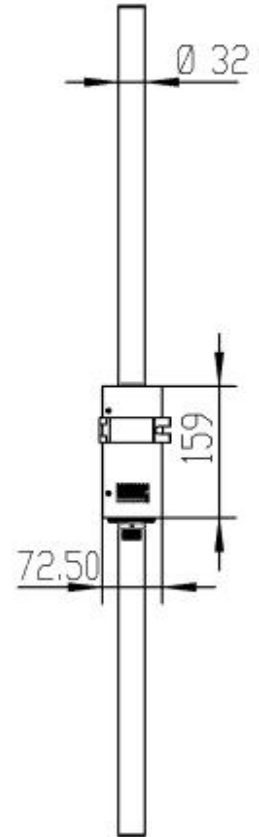
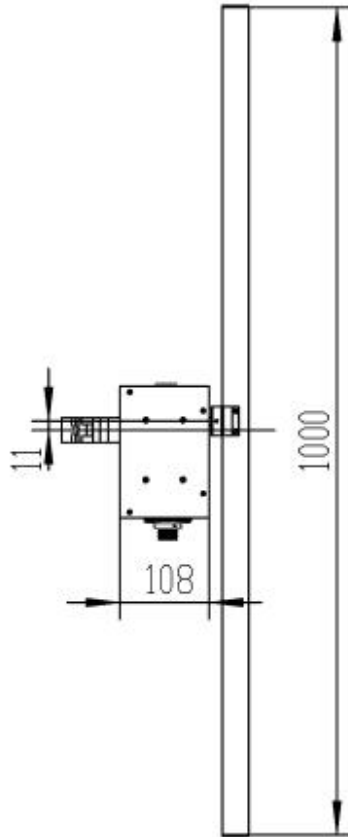
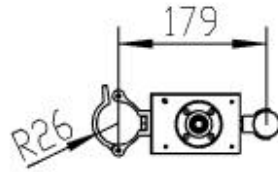
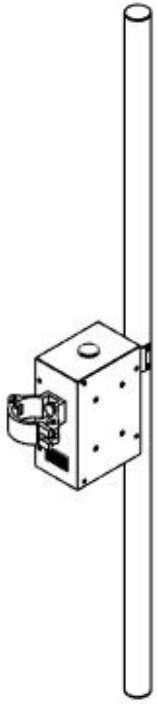


④ Connect multiple rotating led tube together with T-cable





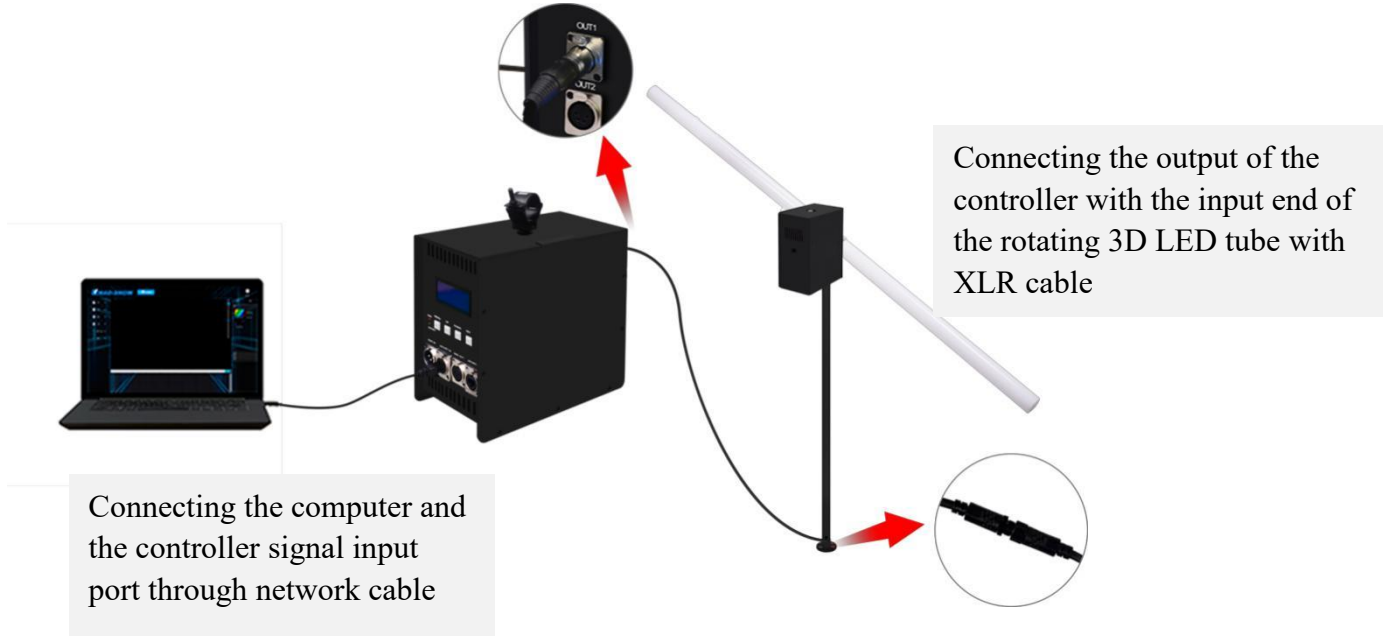
⑤ Hook up installation



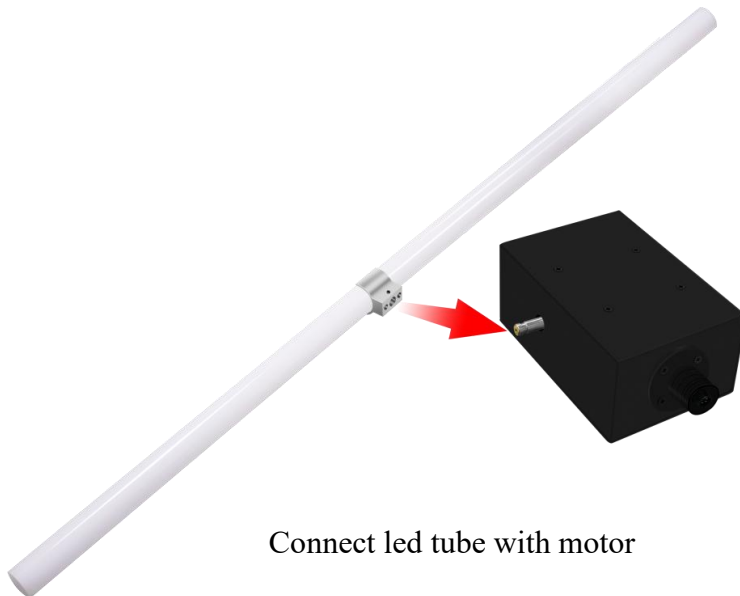


◆ Connection of led tube

① Connect controller with led tube

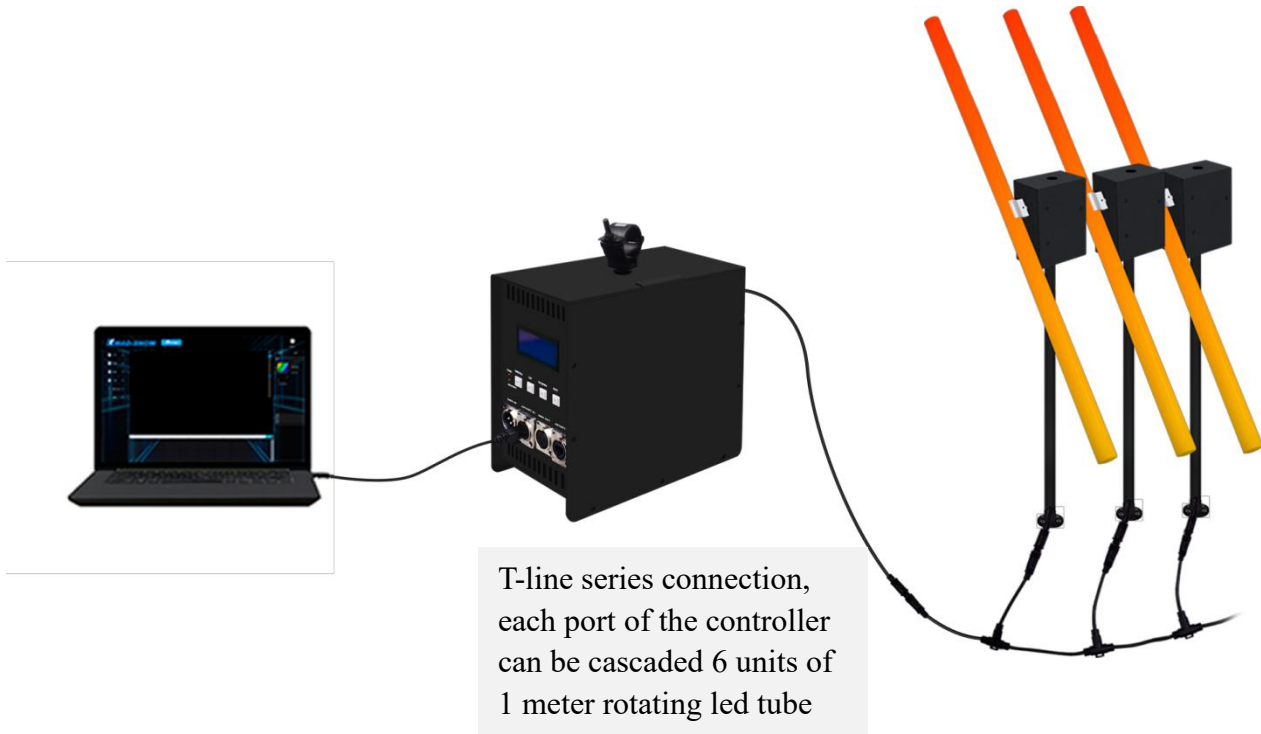


② Connect led tube





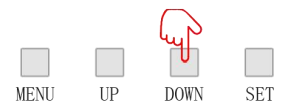
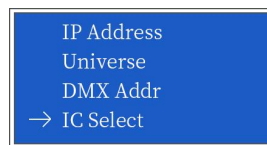
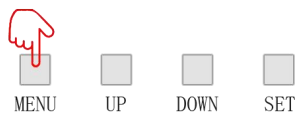
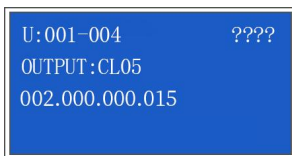
◆ Multiple units can be used in cascade



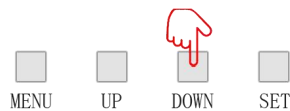
Note: When multiple rotary units are cascaded, the rotary dial codes under each port of the controller need to be modulated in order, couldn't be same!

◆ Control mode description

DMX mode:

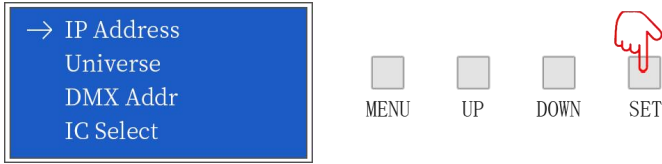


① After the controller is powered on, the default ARTNET mode, long press "MODE" to enter the parameter list, click "UP" or "DOWN" to select the IC type parameters;





②Click "SET" to enter the parameter list, click "DOWN" to select DMX model;

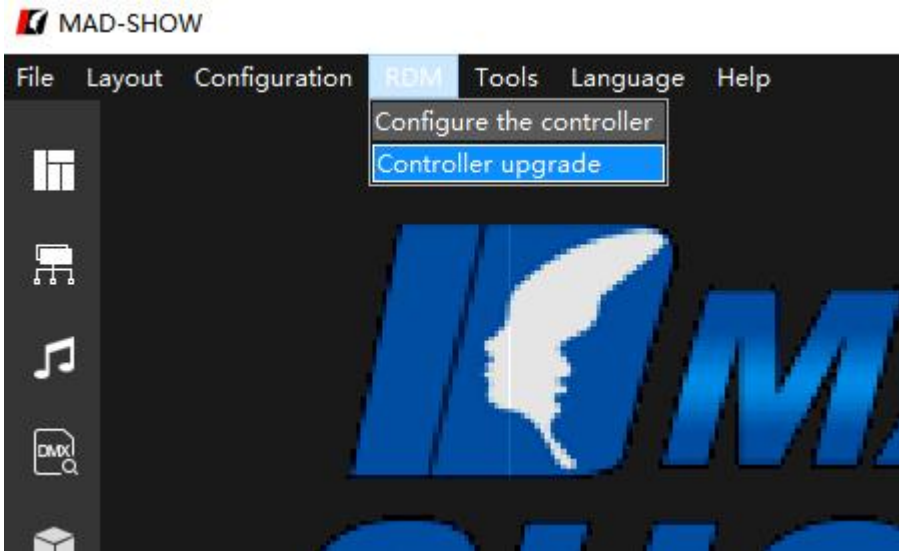


③Click "SET" to save the parameters, long press "MENU" to complete the setting;

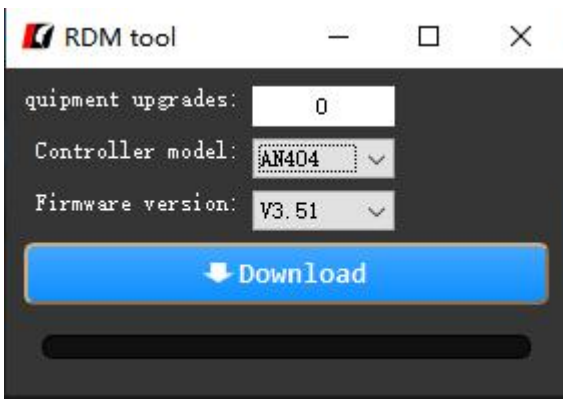
◆ How to upgrade MT02 program

The first step is to turn off the controller ----> turn the coding switch to 0 ----> power on, the light tube turns red, ready to upgrade the program;

The second step is to open the MAD-SHOW software, click on the menu bar RDM---->controller upgrade;



Select the controller model and version, select MT02---->click the Download button, and the program starts to upgrade;



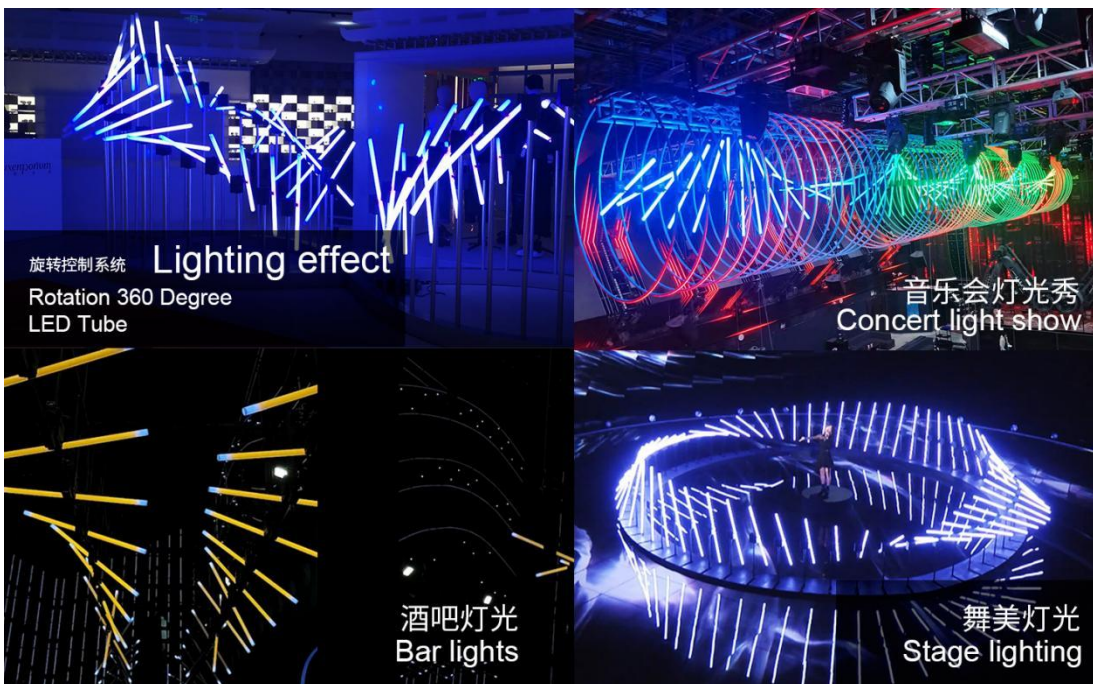


Note: The light is green during the upgrade process, and turn blue after the upgrade is successful. If the software shows that the upgrade is complete, the light is still green, indicating that the program upgrade has failed, and it needs to be powered off to upgrade again;

Step 3 After the upgrade is successful, turn the coding switch to the corresponding value of the led tube, and turn on the rotating led tube;

◆ Application scenarios

- 1.Stage;
- 2.Exhibition;
- 3.Concert light show;
- 4.Advertisement



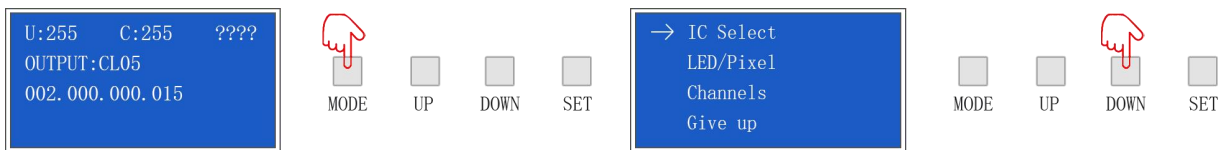


◆ FAQ

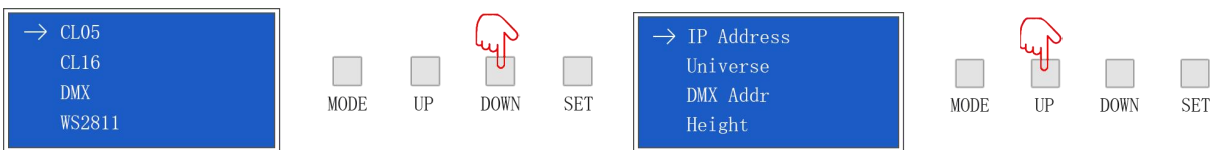
(1) Question: After the wiring is completed, the controller is connected and the rotation is not controlled?

Answer: Check whether the wiring is correct and whether the plug is loose; after confirming the connection is correct, check whether the controller IC (IC Select) is set to the DMX model;

- ① Long press "MODE" to enter the parameter menu
- ② Click "UP" or "DOWN" to select IC type parameters



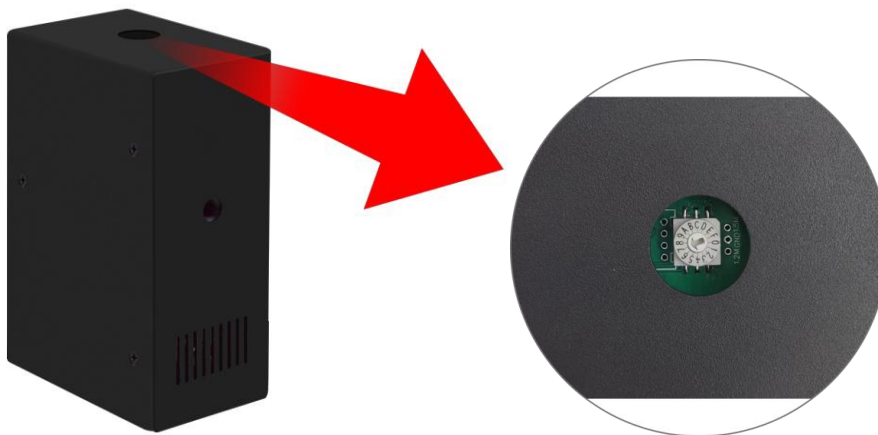
- ③ Click "SET" to enter the parameter list, click "DOWN" to select DMX IC model



- ④ Click "SET" to save the parameters, and long press "MODE" to complete the setting;

(2) Q: In the case of multiple rotations cascaded, what should I do if the effects of each rotation are synchronized? (Dial code setting)

Answer: When multiple rotary color cloud tubes are cascaded, the code of the rotating led tube of each port of the controller cannot be same;



The code of each motor cannot be same!
Need to be arranged in order;



Note:

1. Pay attention to the use environment and be waterproof and moisture-proof;
2. There is high voltage inside, non-professionals should not disassemble the machine, otherwise the consequences will be at your own risk;
3. Man-made damage and natural damage are not guaranteed by the warranty;
4. If any abnormality is found during use, contact the manufacturer in time.